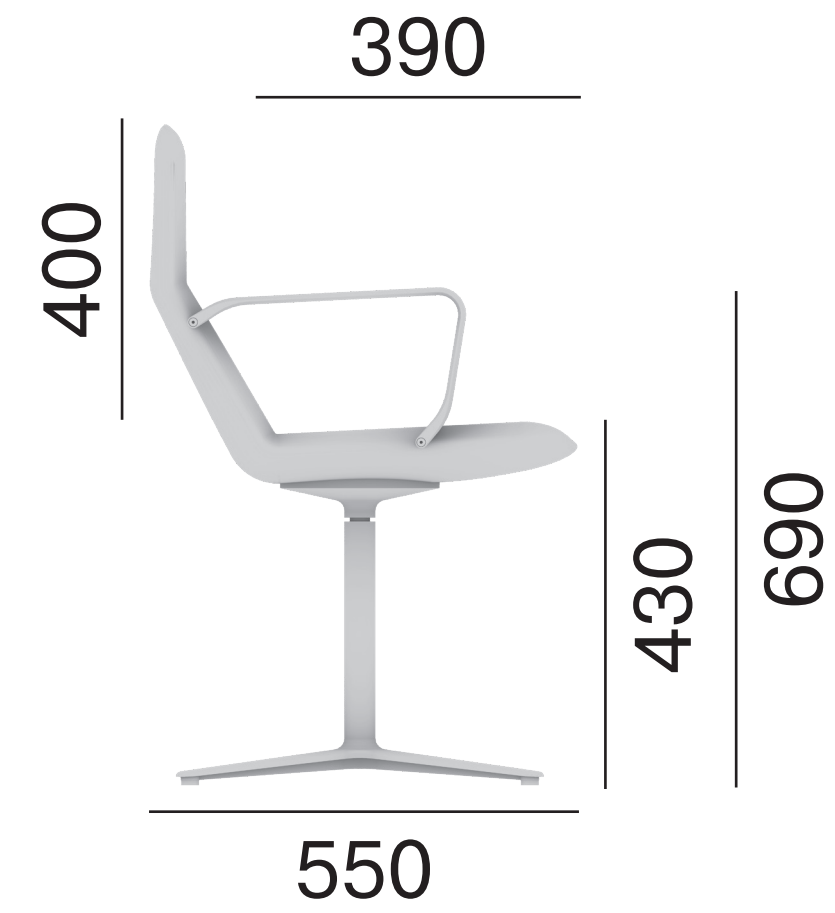
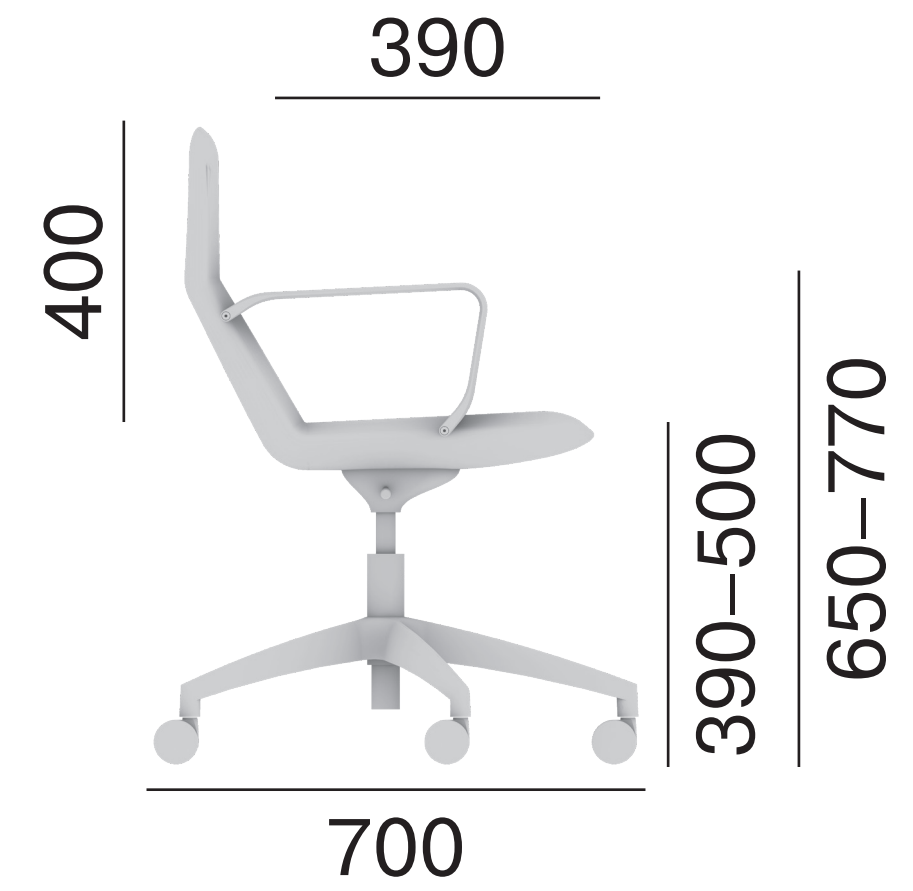


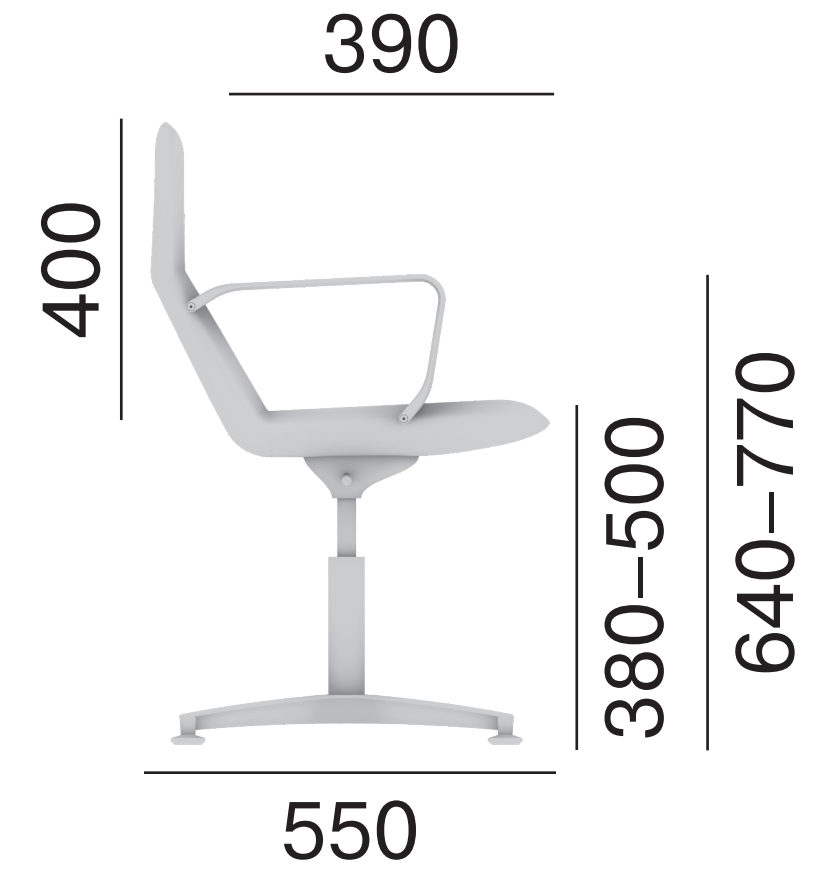
# **LD Seating**

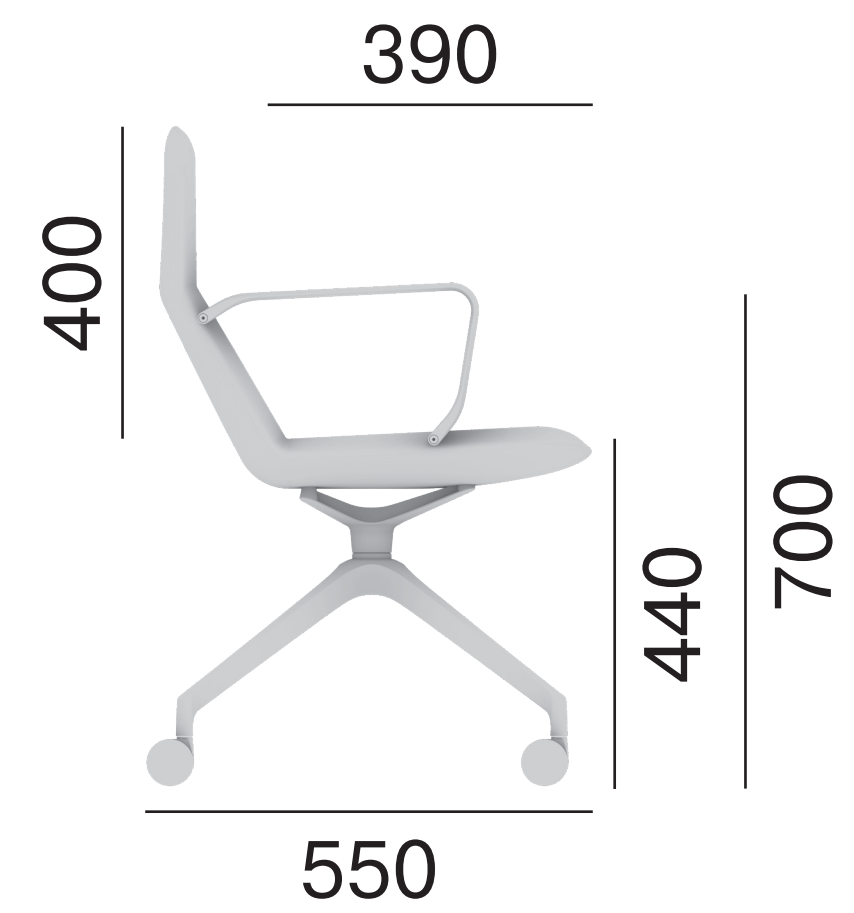
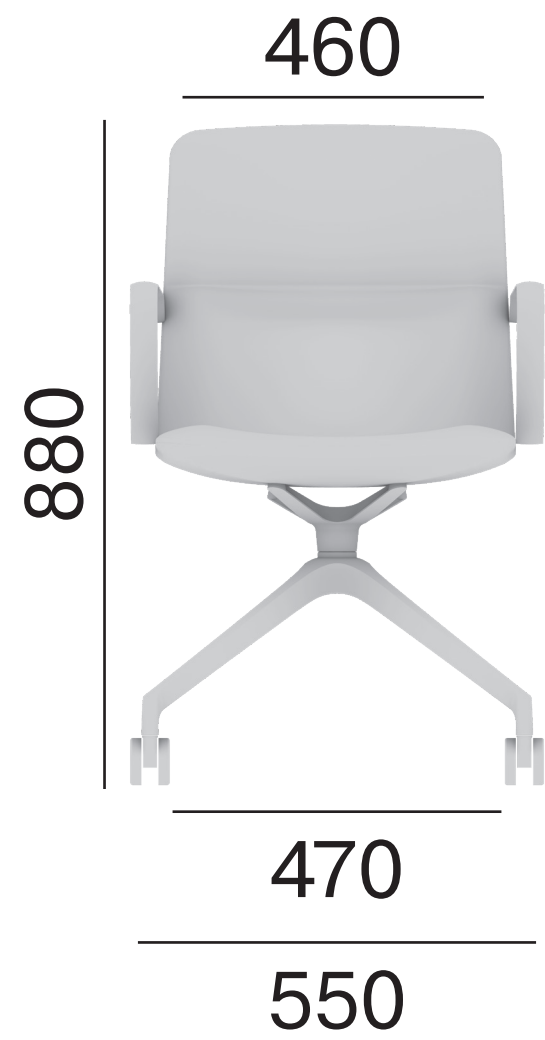
**Rozměry  
Dimensions  
Maße  
Dimensions**

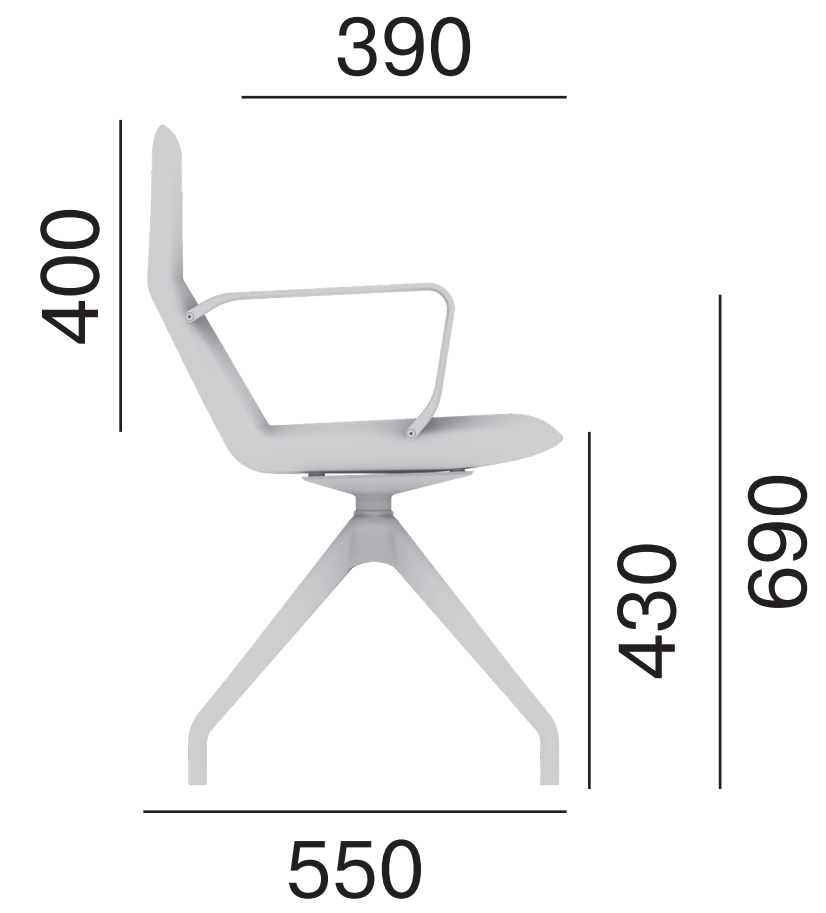
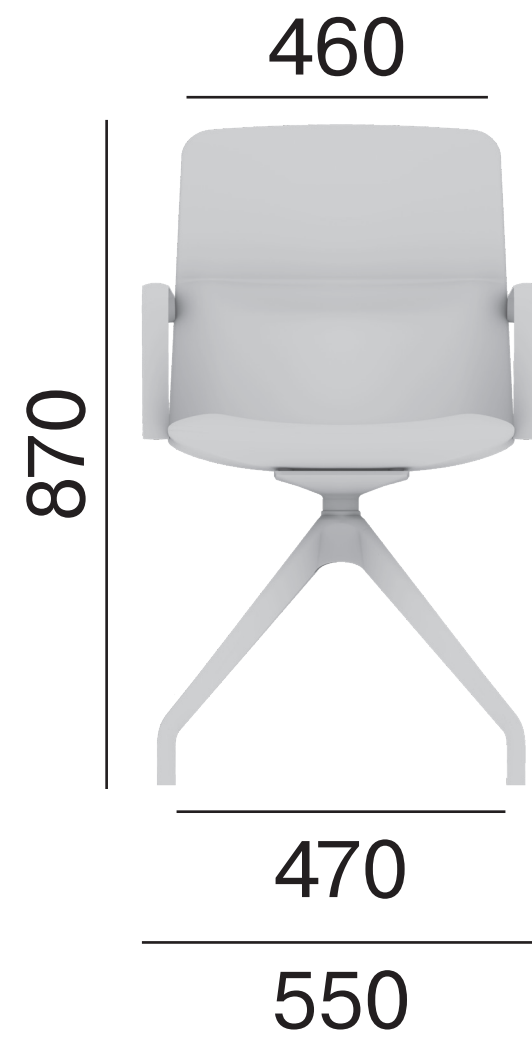
# **Flexi Light**

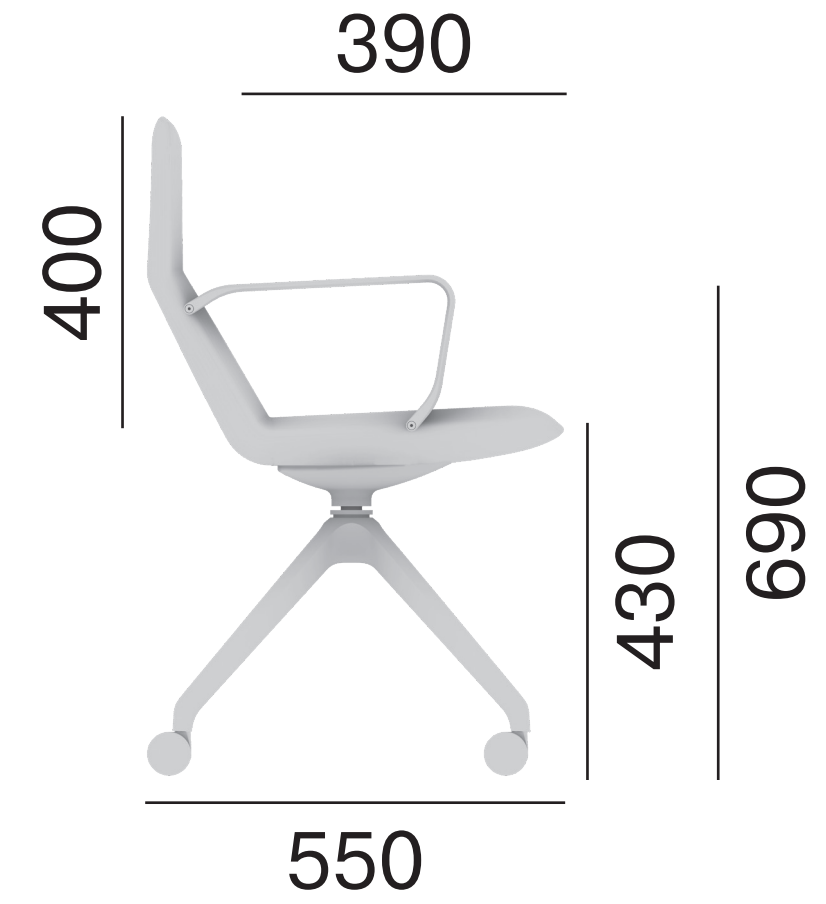
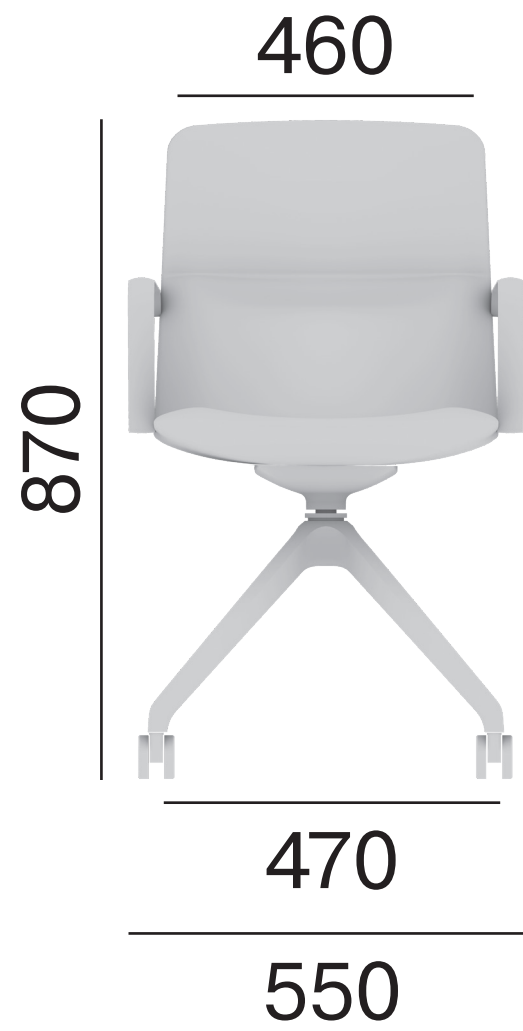












**Flexi Light CHL, MINUS-BR, F20**

